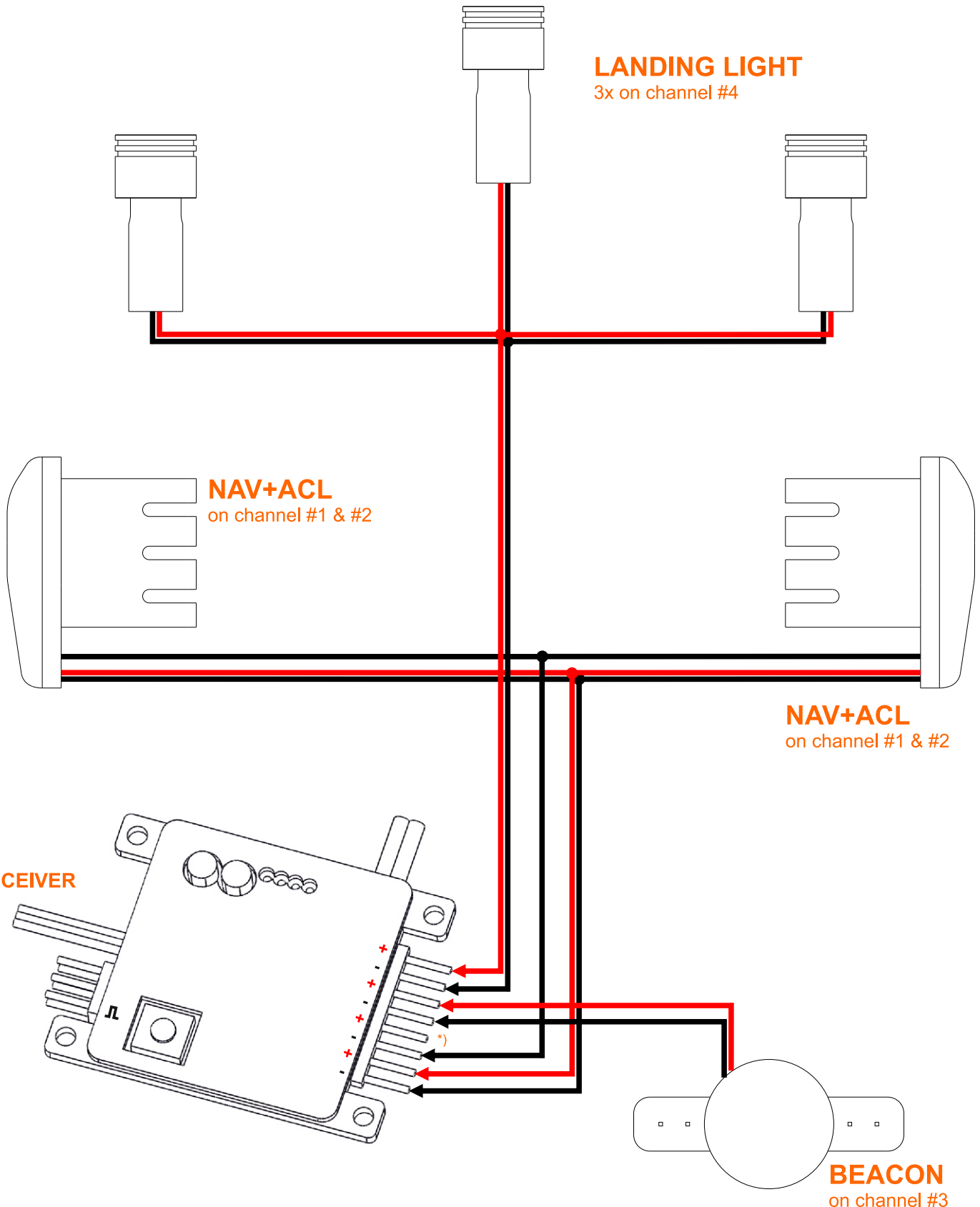




# BASIC CONNECTION DIAGRAMM



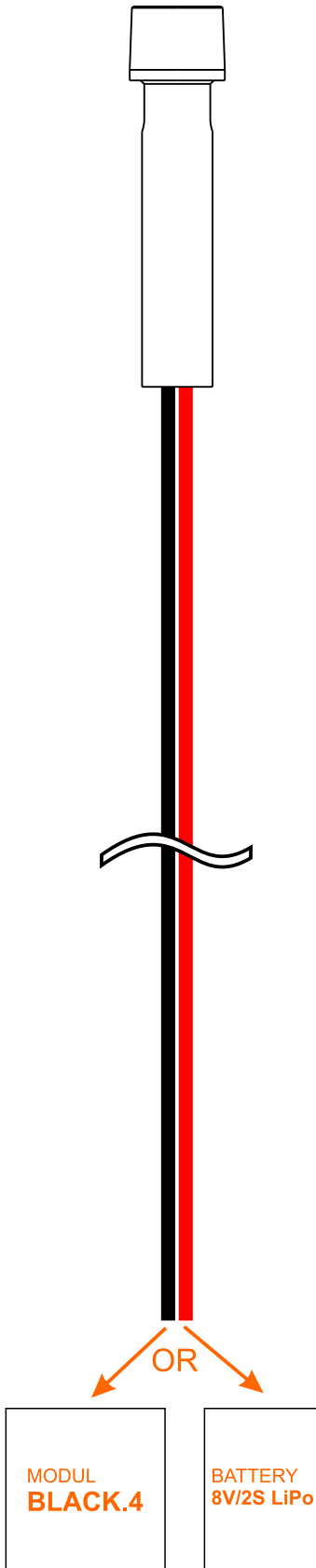
to  
RECEIVER

\* CAN BE EMPTY WITH COMBINED LIGHTS  
„+” WIRE IS COMMON

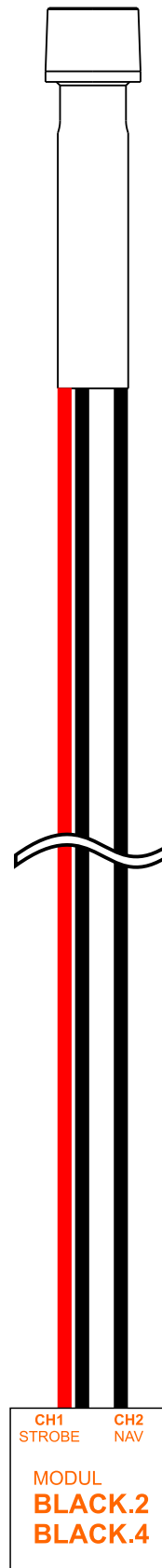
WWW.UNILIGHT.AT  
PRINT WITHOUT SIZE ADJUSTMENT, USE 1:1 PRINTING ONLY



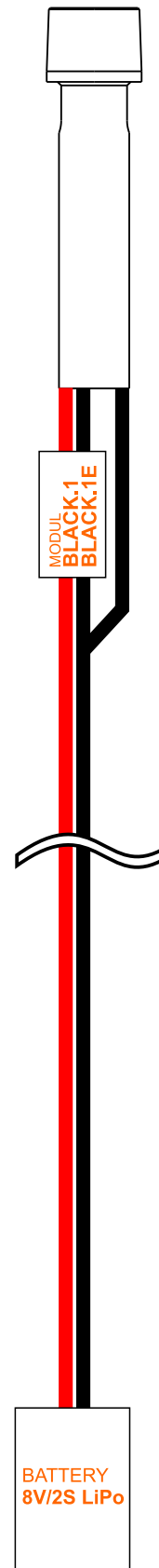
## SLIM/PRO Series



## DUAL Series



## DUAL Series

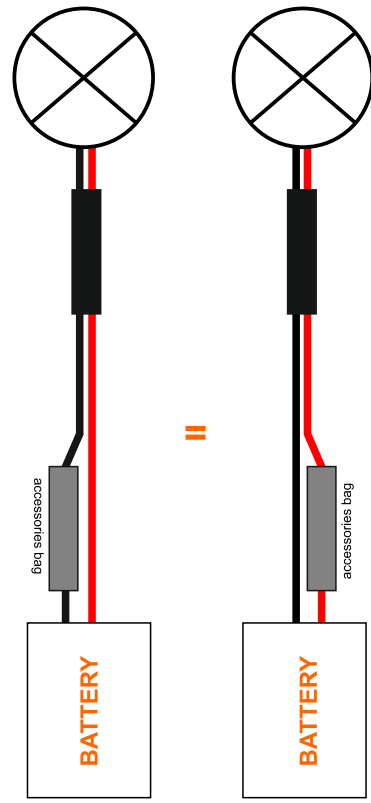




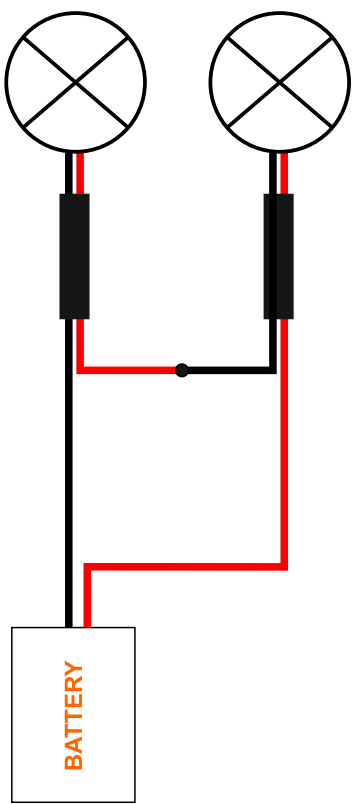
## 2S/8V Operation



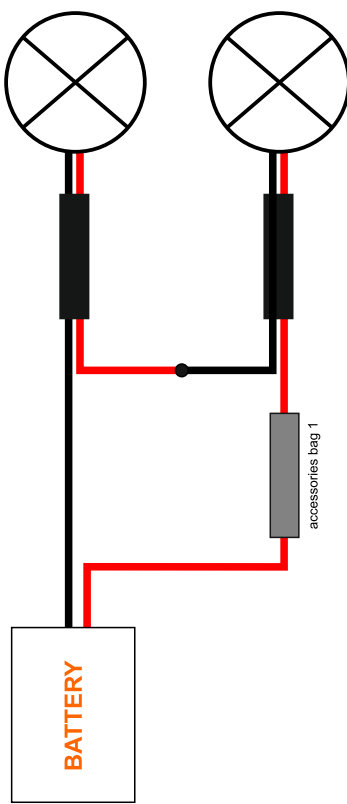
## 3S/12V Operation



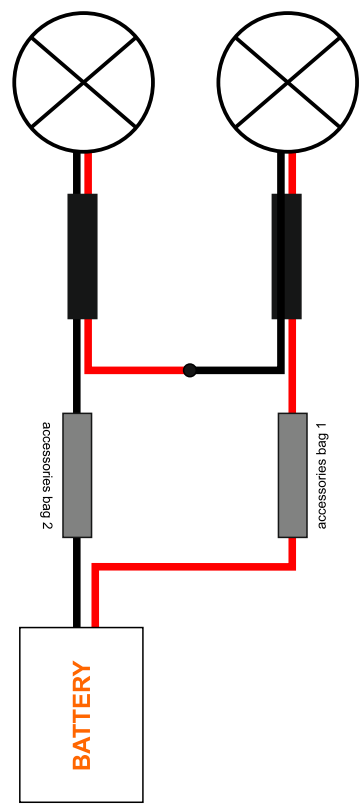
## 4S Operation



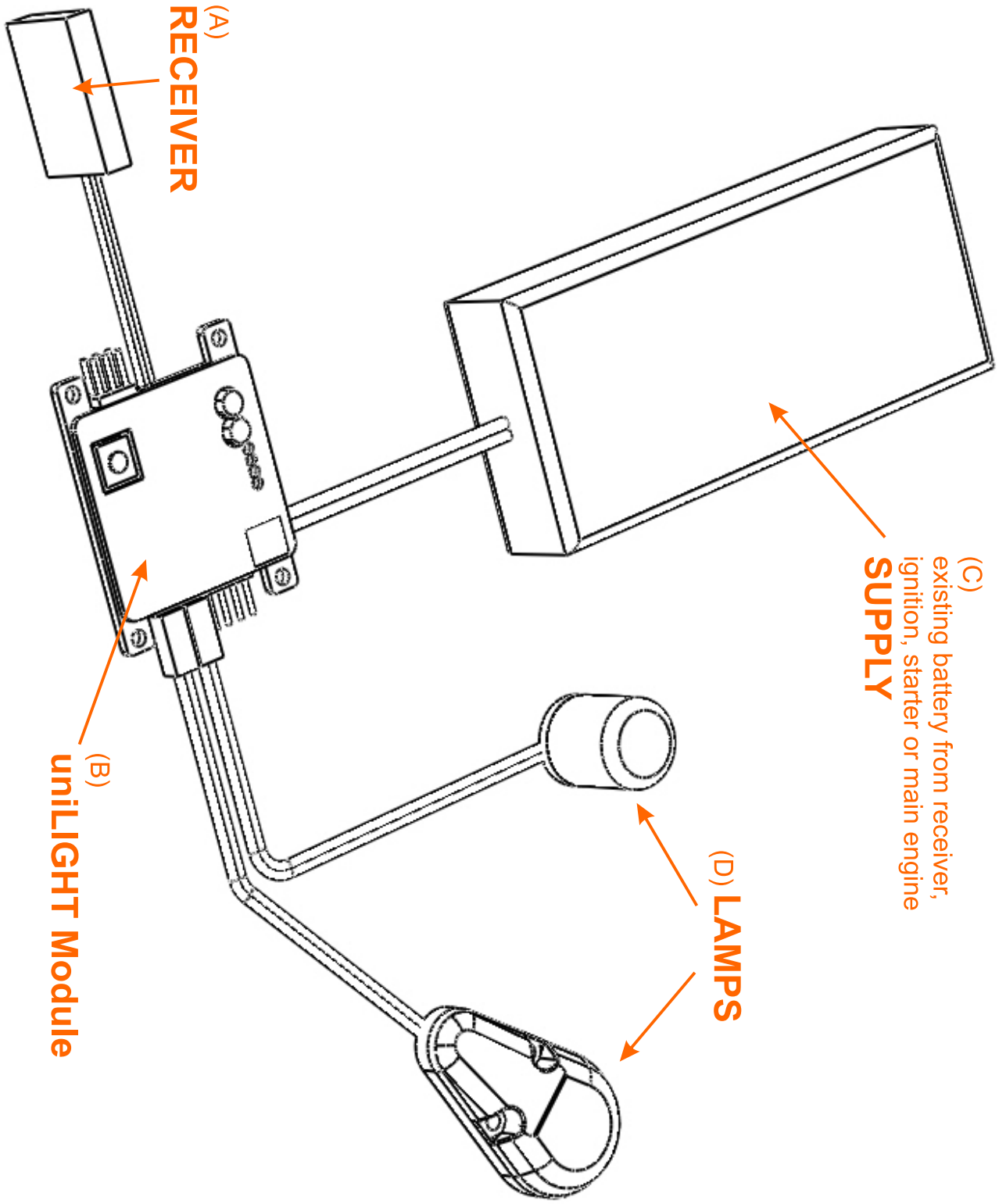
## 5S Operation



## 6S Operation



WWW.UNILIGHT.AT  
PRINT WITHOUT SIZE ADJUSTMENT, USE 1:1 PRINTING ONLY

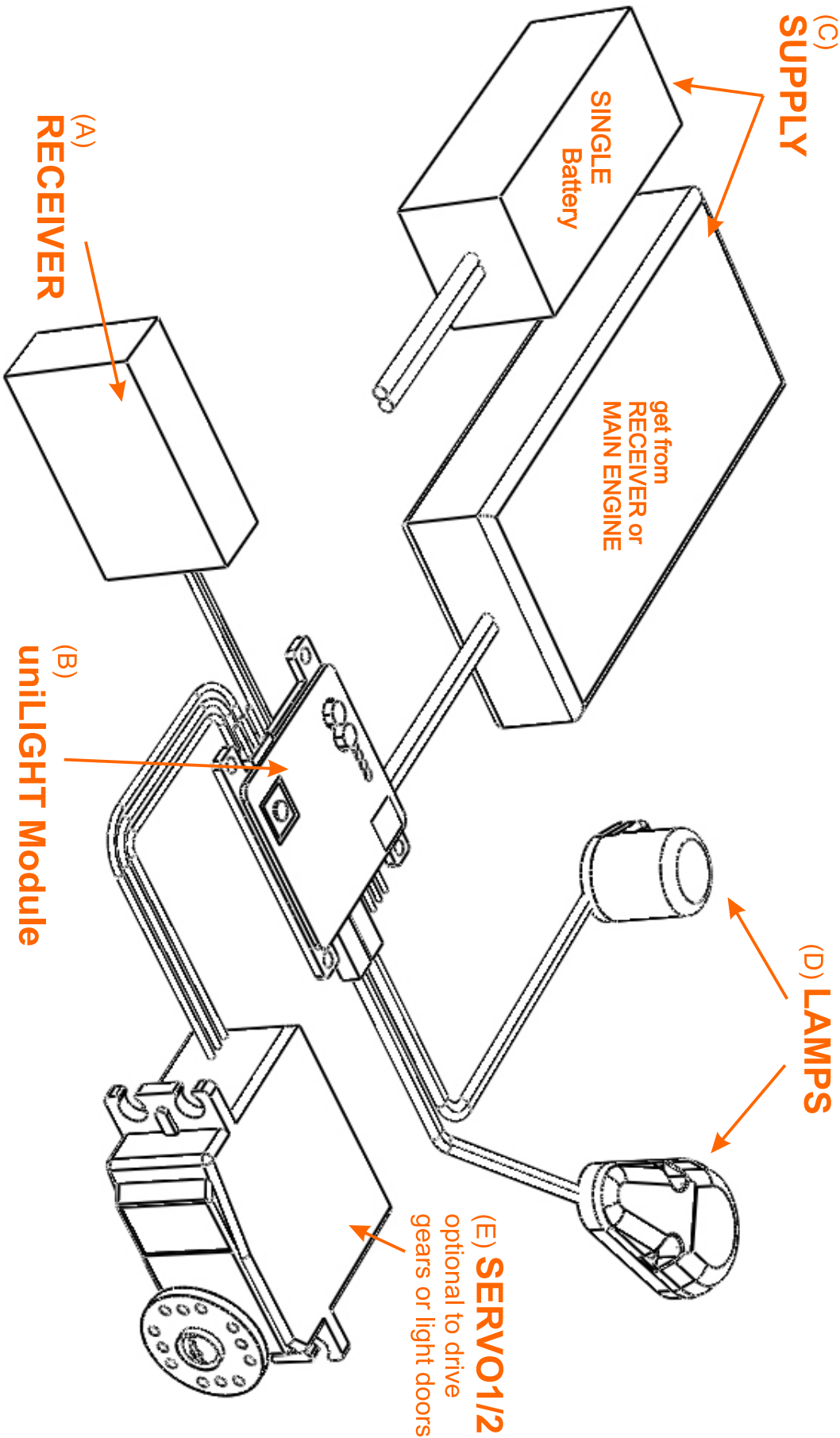


(A)  
**RECEIVER**

(B)  
**uniLIGHT Module**

(C)  
existing battery from receiver,  
ignition, starter or main engine  
**SUPPLY**

(D) **LAMPS**





# 8-CHANNEL PRO CONTROLLER

